

Fakir
HAUSGERÄTE



Designed in
GERMANY



DELUXE
ÖKO LINE
9800S



Deluxe 9800 S
ÖKO Power
2200 Watt
Vacuum Cleaner
Elektrikli Süpürge

Fakir
HAUSGERÄTE

ÖKO  POWER

DELUXE
ÖKO LINE
9800S

2200 Watt
Vacuum Cleaner
Elektrikli Süpürge



User Manual
Kullanım Kılavuzu



Designed in
GERMANY

Fakir
HAUSGERÄTE

Designed in
GERMANY



DELUXE
ÖKO LINE
9800S



Deluxe 9800 S
ÖKO Power

1600 Watt
Spray Extraction Cleaner
Halı Yıkama Makinesi

Fakir
HAUSGERÄTE

ÖKO POWER

DELUXE
ÖKO LINE
9800S

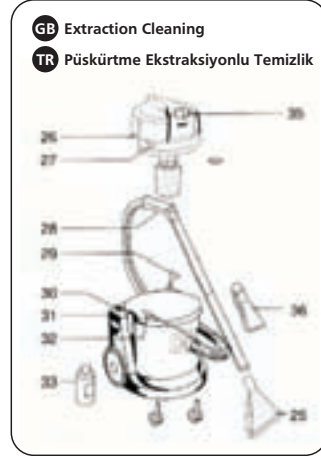
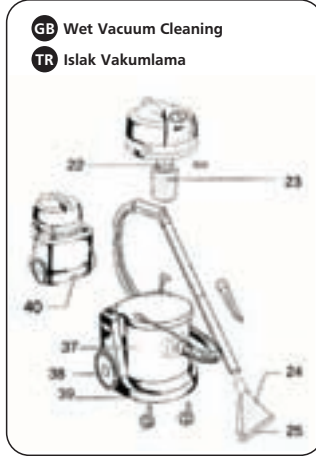
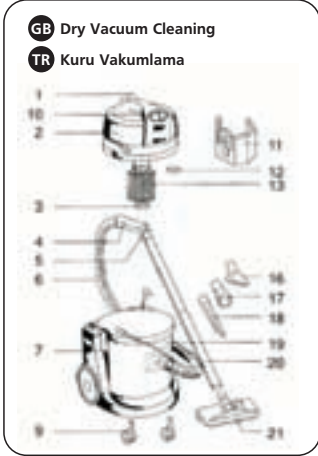
1600 Watt
Spray Extraction Cleaner
Halı Yıkama Makinesi



User Manual
Kullanım Kılavuzu

Designed in
GERMANY

Introduction of Parts / Parçaların Tanıtımı



GB

1 Carrying Handle	12 Motor Protection Filter	24 Carpet Spray Extraction Nozzle	Agent
2 Hood	13 Cartridge Filter	25 Carpet Spray Extraction Nozzle for tiled floor	35 ON/OFF Switch (Pumpa)
3 Filter Retaining Clip	16 Upholstery Nozzle	26 Hose Connection Socket	36 Upholstery Spray Cleaning Nozzle
4 Handle	17 Brush for Sensitive Surfaces	27 Pressure Hose	37 Inox Canister
5 Suction Power Control	18 Crevice Nozzle	28 Metering Button	38 Rear Big Wheel
6 Integrated Suction Hose	19 Intake Socket with Hose Release Button	29 Connection Hose	39 Plastic Under-Inkstand
7 Canister Clamps	20 Integrated Suction Tube	30 Cleaning Liquid Tank Cap	40 Water Discharge
8 Castors	21 Swiveling Floor Nozzle	31 Cleaning Liquid Tank	
10 ON/OFF Switch (Motor)	22 Float Switch	32 Pressure Hose	
11 Paper Filter	23 Foam Plastic Filter	33 Concentrated Cleaning	Life time: 10 years

TR

1 Taşıma Kolu	12 Motor Koruma Filtresi	24 Üçgen Halı Yıkama Aparatı	Deterjanı
2 Motor Kafası	13 Yıldız Filtre	25 Sert Zemin Yıkama Kızağı	35 ON/OFF Şalteri (Pompa)
3 Yıldız Filtre Kilidi	16 Döşeme Aparatı	26 Temiz Su Tankı Pompa Bağlama Soketi	36 Koltuk Yıkama Aparatı
4 Vakum Dirseği	17 Mobilya ve Hassas Yüze Aparatı	27 Temiz Su Hortumu	37 Paslanmaz Çelik Gövde
5 Vakum Ayar Sürgüsü	18 Kenar-Köşe Aparatı	28 Tetik Mandalı	38 Büyük Tekerlekler
6 Vakum Hortumu	19 Hortum Soketi ve Hortum Çıkarma Pimi	29 Bağlantı Hortumu	39 Plastik Alt Çember
7 Kazan Mandalları	20 Vakum Borusu	30 Temiz Su Tankı Kilidi	40 Kirli Su Tahliye Tıpası
9 Tekerlekler	21 Halı / Sert Zemin Aparatı	31 Temiz Su Tankı	
10 ON/OFF Şalteri (Motor)	22 Şamandıra	32 Temiz Su Bağlantı Yeri	
11 Kağıt Toz Torbası	23 Köpük Filtre	33 Konsantre Temizlik	Kullanım ömrü: 10 yıl



Dear Customers!

Please read this instruction manual carefully. Pay special attention to important safety instructions. Keep this instruction manual for future reference.

Important Safety Instructions

Please read through the information given below with care. This provides important guidance on the use, safety and maintenance/care of the appliance. Keep these instructions for use carefully and pass them on to any subsequent owners.

- FAKIR appliance comply with recognized technology standards and current official safety regulations for domestic appliances.
- FAKIR appliances are provided with radio interference suppression in accordance with EC guideline 89/336.

GENERAL INSTRUCTIONS

- Before plugging in the appliance, check to ensure that the voltage shown on the rating plate is the same as the mains electricity supply voltage.
- The power point must be provided with a 16A automatic circuit breaker fuse.
- Do not switch on the appliance if:
 - The housing exhibits any evidence of damage (cracks/fractures)
 - The connection lead is defective
 - It is suspected that an internal defect is present (after being dropped)
- Before use check to ensure that all the filters are correctly installed. The appliance must not be used without a filter under any circumstances.
- Use only genuine FAKIR filters and accessories.
- Use only non-polluting, environment-friendly cleaning agents.
- Repairs must only be carried out by qualified technicians (e.g. FAKIR after sales service engineers). Only genuine FAKIR spare parts must be used. Inexpertly repaired appliances could endanger the user.
- Do not allow children to use the appliance. Cleaning agents should be kept out of the reach of children.
- This appliance is not intended for use by people (including children) with reduced physical, sensor or mental capabilities, or lack of experience and knowledge, unless they have been given supervision or instruction concerning use of the appliance by a person responsible for their safety.
- This appliance is not suitable for use on substances constituting a health hazard.
- If the appliance is misused, incorrectly operated of inexpertly repaired no liability will be accepted for any damage which may occur.

SAFETY PRECAUTIONS

- Never withdraw the plug from the socket by pulling on the connection lead.
- Do not pull the connection lead over sharp edges or allow it to get jammed.
- Do not use damaged extension leads.
- Before carrying out any maintenance operations or replacing a filter switch off the appliance and withdraw the mains plug. This also applies after you have finished using the appliance.
- Never place the nozzles or tube ends near the eyes or ears.
- Do not use the the appliance to pick up:
 - Hot or glowing ashes etc.
 - Coarse fragments of glass
 - Solvents
 - Explosive gases or liquids
- Do not store the appliance in the open air.
- When cleaning the appliance use only a dry or slightly moistened cloth. Take care to prevent any live components (switch, plug, motor etc.) from coming in to contact with water.

DISPOSAL INSTRUCTIONS

- When disposing of the packaging materials and eventually the appliance itself please observe any official regulations applicable to the disposal of waste materials.
- The packaging materials should be disposed of in accordance with recycling provisions.
 - Before disposing of the appliance at the end of its life, take appropriate steps to render it unusable.
 - Please consult your local authority for information on appliance waste disposal regulations.

ATTENTION!!! When the machine is not used for washing surfaces check the red light of the pump is off.

If the machine pump's wanted to be long lasted and healthy working please use it's own original detergent.

General Directions of Use

Cartridge Filter - As supplied the appliance is fitted with a cartridge filter which cleaned when it becomes contaminated. This cartridge filter can be used for all dry vacuum cleaners tasks.

Paper Filter - This filter should be used to remove fine dry dust (ashes, remnants of cement powder etc.) or in case where special hygiene standards must be met. The paper filter is used in addition to the filter cartridge.

Textile Filter - The textile filter is a long-life filter which like the paper filter serves as an additional filter for the removal of fine dry dust or similar.

Foam Plastic Filter - The foam plastic filter should be installed when the appliance is used for extraction cleaning or a mixture of liquid and dirt or waste matter is to be picked up.



Assembling the Appliance

A- Suction Hose - Fuse the rotary sleeve of the suction hose into the intake socket in the canister until it locks home. Pull the release button on the intake socket and pull out the suction hose.



B- Suction Tubes - Insert the pin in the housing of extension tubes to connect them. After having connected the two parts of the tubes turn the lever of the pin on the position "closed". Carry out the same operation to connect the extension tubes to the handle and to the integrated connection piece.



C- Nozzles - All the accessories can be connected to the handle and to the extension tubes.



D- Swiveling Floor Nozzle - The swiveling floor nozzle provides for the vacuum cleaning of carpeted floors of all kinds also smooth floors with no change of nozzle. Adjustment to the respective type of floor is effected by operating the foot switch on the nozzle: Carpeted floors bristles retracted. Smooth floor bristles extended.



E- Crevice Nozzle - The crevice nozzle permits the efficient cleaning of cracks folds, recesses and other awkward places.



F- Upholstery Nozzle - The use of the upholstery nozzle is recommended for the cleaning of upholstery, mattresses, car seats etc. It is also suitable for the removal of small spills of water.



is provided for the cleaning of furniture, pictures etc.

Dry Vacuum Cleaning

Having selected and installed the desired accessory, check to ensure that the interior of the appliance (A) and all the accessory components are dry.

- Unwind the mains lead and install the plug into the power socket.
- Switch on the appliance by lightly pressing the ON/OFF switch.



B- Suction Power Control - An air intake control is located in the handle of the suction hose with which you can reduce the suction power if e.g. the carpet or mat lifts from the floor under excessive suction power. For Max. Suction Power - Push control slide forward (aperture in handle closed). For Min. Suction Power - Push the control slide to the rear (aperture in handle open).



Wet Vacuum Cleaning

C- Release the canister clamps, remove hood, filter cartridge and paper filter if fitted. To remove the filter, turn the filter retaining clip anticlockwise and pull off the filter cartridge together with the base plate.



D- Foam Plastic Filter - Install the foam plastic filter if it is intended to remove a mixture of liquid and dirt or waste matter. To do this, push the filter on to the float valve retainer as far as it will go. Slightly contaminated water can be removed without installing the foam plastic filter. Place the hood on the canister, fasten the canister clamp and install the desired cleaning accessory.



- Unwind the mains lead and install the plug into the power socket.
- Switch on the appliance by light pressure on the On/Off switch.

E- Float Valve - When the maximum liquid level in the canister is reached, the float valve will automatically close the intake aperture in the hood, interrupting the intake process. Switch off the appliance immediately and withdraw the mains plug. Carry or pull the complete appliance to the disposal point and empty the canister.



F- Water Discharge - To empty the liquid from the tank, turn off the motor switch and open the water discharge. Before switching it on again verify the water discharge is closed.



ATTENTION!!! When the machine is working never open the water discharge (F).

Note: *If foam or liquid escapes from the ventilation apertures during cleaning operations, switch the appliance off immediately and withdraw the mains plug. Empty the canister and if necessary add some anti-foaming agent. Carry out a function check on the float valve before switching on the appliance again.*

Preparation for Spray Extraction

Before extraction cleaning of carpeted floors or upholstery check the color-fastness of the material. To do this apply some of the concentrated cleaning agent to an inconspicuous area with a cloth allow it to dry, then carry out a color comparison. The floor covering or upholstery should only be cleaned if no change of color is evident.

A- Tank - Release the canister clamps, remove the hood, cartridge filter and paper filter if fitted. To remove the filter turn the filter retaining clip anti-clockwise and pull off the filter cartridge including the base plate.



B- Foam Plastic Filter - Install the foam plastic filter by pushing the filter completely onto the float valve retainer as far as it will go. Now reinstall the hood on the canister, fasten the canister clamps and install the extraction cleaning accessories.



C- Pressure Hose

D- Insert the pressure hose in to the corresponding aperture of the adapter supplied and secure to the suction hose or suction tube at regular intervals. Insert the quick release coupling at the end of the hose into the mating socket in to the hood and push it home so that it locks. The pressure hose connection can be straightforwardly released. To do this push the corrugated sleeve of the quick release coupling back so that the coupling is automatically forced out under spring pressure.



E- Spray Extraction Liquid Tank Connection Hose - Push the plug connector on the connection hose in to the corresponding aperture in the hood as far as it will go. Take care to ensure that the hose is not kinked and that the end of the hose with the strainer is positioned at the bottom of the tank. Spray extraction liquid. Remove the screw plug from the tank and pour in the mixture of water and concentrated cleaning agent with the aid of the funnel. The capacity of the tank is 4.5 liters.



CAUTION!!! Use only non-polluting, environment-friendly cleaning agents. Please observe the mixture ratio specified by the manufacturer.

F- Accessories - Insert the floor nozzle (or the sofa nozzle) on the extension tubes. Connect the sprayer tube to the pin of the extension tubes (push and turn anti-clockwise).



Spray Extraction of Carpeted Floors

A- After desired accessory has been selected and installed, proceed as follows:

- Unwind the mains lead and insert the plug into the power point.
- Set the control switch to maximum suction power.
- Switch on the appliance by lightly pressing the ON/OFF switch.
- Start the pump by the applying light pressure to the switch.



B- Method of Operation

C- Place the carpet spray extraction nozzle on the floor, pull the lever of the metering valve and move the nozzle blowly to the rear across the carpet at the same time. In this way the cleaning solution is sprayed under pressure onto the dirty area and is immediately sucked up again together with the dirt. To move the nozzle in a forward direction, release the valve lever and lift the nozzle clear of the carpet. The entire area is covered by cleaning adjacent strips.
Note: If, temporarily no spray extraction liquid is needed; switch off the pump.



D- Float Valve - When the liquid in the tank reaches the maximum level, the float valve will automatically close the intake aperture in the hood, interrupting the intake process. Switch the appliance off immediately and withdraw the mains plug. Now carry or pull the complete appliance to the disposal point, remove the connection hose from the spray extraction liquid tank and the pressure hose from the hood, then empty the canister.



Cleaning Tiled Floors

E- Tiled floor cleaning attachment for carpet spray extraction nozzle. Push the attachment onto the carpet spray extraction nozzle, then proceed as described under "spray extraction of carpeted floors" above.



F- The tiled floor cleaning attachment can simply be pulled off when no longer required.



Cleaning Upholstery

G- The upholstery cleaning nozzle is supplied for the purpose of cleaning upholstery, car seats etc. To separate the connection, turn the bayonet fitting in the opposite direction and pull off.



H- Now proceed as following:

- Set the control switch to maximum suction power.
- Switch t on the appliance by light pressure on the ON/OFF switch.
- Start the pump by applying light pressure to the switch.



I- Place the upholstery cleaning nozzle lightly on the upholstery, pull the button of handle, moving the nozzle slowly backwards at the same time. In this way the cleaning solution is sprayed under pressure onto the dirty area and is immediately sucked up again together with the dirt. The entire area is covered by cleaning adjacent strips.
Note: If, temporarily no spray extraction liquid is needed; switch off the pump.



J- Float Valve - When the liquid in the tank reaches the maximum level, the float valve will automatically close the intake aperture in the hood, interrupting the intake process. Switch the appliance off immediately and withdraw the mains plug. Now carry or pull the complete appliance to the disposal point, remove the connection hose from the spray extraction liquid tank and the pressure hose from the hood, then empty the canister. To empty the liquid from the tank, turn off the motor switch and open the water discharge. Before switching it on again verify the water discharge is closed.



ATTENTION!!! When the machine is working, never open the water discharge.

After Use

A- Switch off the appliance, withdraw the mains plug.



B- Remove the hood and empty the canister and cleaning liquid tank. To empty the liquid from the tank, turn off the motor switch and open the water discharge. Before switching it on again verify the water discharge is closed.



ATTENTION!!! When the machine is working never open water discharge.

C- Partially fill the cleaning liquid tank clean water.

D- And flush out the entire spraying system (hose, pump, nozzles) thoroughly. After flushing switch off the appliance and pump, withdraw the mains plug and wind the mains lead around the recess on the hood provided for this purpose.

E- Remove the hood, together with the all accessories and empty the canister and cleaning liquid tank. Thoroughly flush out the interior of the appliance and any accessories and dry them thoroughly.

F- For this purpose, it is advisable to remove the cleaning liquid tank.

Maintenance and Care

The appliance requires no extensive maintenance or care. The appliance, accessories and dirty water tank should however be cleaned with a moist cloth when required. When doing this take care to ensure that no electrical components come into contact with water. The motor protection filter should be cleaned occasionally or if the cartridge filter has become defective. To do this remove the foam plastic disc and clean with water and a little washing-up liquid. When the filter is dry, reinstall it in its original position.

Faults

If the appliance is found not to be working satisfactorily (reduction in suction power, unusual voices or complete stoppage) first check to ensure that the suction channels are not obstructed. Any repairs which may be required should be carried out only by the FAKIR after-sales service organization.

Replacing Filters

Filters must be cleaned or replaced at certain interval in order to obtain the most cleaning efficiency from the appliance. Withdraw the mains plug from the power socket before carrying out any change of filter.

A- Long-life Cartridge Filter - When the suction power diminishes to a noticeable extent, the cartridge filter must be cleaned or replaced. To do this, release the canister clamps and remove the hood from the



canister. Turn the filter retaining clip anticlockwise and carefully pull off the filter cartridge with base plate. Shake or lightly tap the cartridge to remove clinging dust. For even better results, remove the dust with your ordinary vacuum cleaner, using the crevice nozzle. In doing so, take care to ensure that the paper part of the filter cartridge is not damaged. Now reinstall the cartridge filter in the reverse order.

B- Paper Filter - Release the canister clamps, remove the hood from the canister and set on one side. Carefully push the contaminated paper filter sufficiently far back to expose the socket located inside. Now pull the filter upwards out of the canister and dispose of in the waste bin. Unfold the new paper filter, peel back the rims at the side of the cardboard disc and carefully push the filter onto the socket in the canister as far as it will go. Place the ends of the filter against the inner wall of the canister, then install and secure the hood. In doing this, take care to ensure that the paper filter is not damaged by the filter cartridge.

C- Foam Plastic Filter - Remove the long-life cartridge filter and push the foam plastic filter onto the float valve retain as far as it will go. Now reinstall the hood on the canister, fasten the canister clamps and install the desired vacuum cleaning accessory. After wet vacuum cleaning operations, remove the contaminated foam plastic filter and clean with a little washing-up liquid.

Note: To ensure that your appliance retains its functional efficiency, use only genuine FAKIR filters.

Dispatch:

Carry the appliance in the original package or a similar, well-padded package to prevent damage to the appliance.



Lütfen bu kullanım klavuzunu dikkatlice okuyunuz. İçerikteki güvenlik uyarılarını dikkate alınız. İleride ihtiyacınız olabileceği için kullanım klavuzunu saklayınız.

Emniyet ve Bakım Talimatları

Cihazı Kullanmadan Önce

Aşağıda belirtilen talimatları dikkatlice okuyunuz. Talimatlar cihazın kullanımı ve bakımı hakkında önemli bilgiler vermektedir. Kullanma klavuzunu muhafaza ediniz.

- FAKIR-cihazları Teknik açıdan emniyet standartlarında üretilmektedir.
- FAKIR-cihazları EN 60335-2-2 normlarına sahiptir.

Genel Talimatlar

- Kullanımdan önce fişli kablounun iyi durumda olduğundan emin olunuz. Hasar görmüş fişli kabloyu kullanmayınız ve yetkili servis merkezlerince değiştirtiniz ya da onartınız.
- Cihaz için kullanılacak priz en az 16 Amper ve emniyetli olmalıdır.
- Cihazı çalıştırmamanız gereken durumlar;
Cihazda gözle görülür hasarlar (kırık/çatlak),
Kablo hasarı,
Makina dikkatsiz kullanımdan ötürü düştüğünde hasar ihtimalinde.
- Kullanımdan önce tüm filtrelerin takılı olduğu kontrol edilmelidir. **Cihaz kesinlikle filtresiz kullanılmamalıdır.**
- Sadece orjinal FAKIR filtre ve yedek parça kullanınız.
- Sadece makina kullanımına uygun deterjan kullanınız.
- Makina sadece yetkili FAKIR servisleri tarafından tamir edilmeli ve orjinal FAKIR yedek parçalar kullanılmalıdır. Bilgisiz kişiler tarafından tamir edilen cihaz tehlike teşkil edebilir.
- Makina çocukların kullanımı için uygun değildir. Özellikle deterjan çocuklardan uzak tutulmalıdır.
- Cihaz çocuklar dahil olmak üzere fiziksel, duyuşsal ya da zihinsel problemleri olan kişiler tarafından, deneyimi ya da bilgisi olmayan kişiler tarafından, cihazı güvenli bir şekilde kullanacak kişilerin gözetimi olmadan kullanılmamalıdır.
- Cihaz sağlığa zararlı maddelerin vakumlanması için uygun değildir.
- Cihaz amaca uygun olarak kullanılmaz, dikkatsiz kullanılır veya yetkisiz kişiler tarafından tamir/bakımı yapıldığı takdirde üretici firma sorumluluk kabul etmez.

Emniyet – Güvenlik Talimatları

- Prizi asla kablosundan çekerek çıkartmayınız.
- Kabloyu keskin eşyalardan uzak tutunuz ve sıkıştırmayınız.
- Hasar görmüş fişli kabloyu kesinlikle kullanmayınız. Fişli kablo veya fiş hasarlı ise yetkili servis merkezlerince değiştirtiniz ya da onartınız.
- Herhangi bir bakım, temizleme, aparat değişimi veya filtre değişimi öncesi ve kullanım sonrasında elektrikli süpürgenizi devre dışı bırakarak fişi prizden çekiniz.
- Aparat ve boru uçlarını göze yada kulağa yakın tutmayınız.
- Elektrik süpürge ile;
Sıcak ve parlayan malzemeleri,
Yanıcı gaz yada sıvı maddeleri,
İnsan ve hayvan sağlığına zararlı zehirli tozları çekmeyiniz.
- Cihazı açık yerde muhafaza etmeyiniz.
- Cihazı kuru veya nemli bir bezle temizleyiniz. Elektrik geçiren parçaları (şalter, priz, motor.vb.) su ile temas ettirmeyiniz.

Geri Dönüşüm

Artık kullanılmayan cihazınızın, tekrar kullanımını engellemek için fişini prizden çekerek elektrik kablosunu kesiniz. Elektrikli cihazları **kesinlikle ev çöpüne atmayınız.** Elektrikli ve elektrikli kullanılmış cihazlara ilişkin 2002/96/EC sayılı Avrupa Direktifine göre kullanılmış elektrikli cihazların ayrı olarak biriktirilmesi ve çevreye uygun tekrar değerlendirme işlemine tabi tutulması gerekmektedir. Sorunlarınızda lütfen belediye idaresine ve en yakın yetkili satıcınıza danışınız.

Genel Kullanım Talimatları

Yıldız Filtre - Temizlenebilen yıldız filtre makinanın standart aksesuarlarından. Yıldız filtre tüm kuru vakum temizliklerde kullanılmalıdır. Yıldız filtre su ile temas ettirilmemelidir. Temizliği için filtreyi, dikey pozisyonda yumuşak darbelerle yere vurarak kaba tozunu boşaltmak ardından kuru basınçlı hava ile temizlemek yeterlidir. Filtreyi, yan yada sert darbelerle yere vurma deformasyonu bu da filtrenin yırtılmasına neden olabilir.

Kağıt Torba - Kağıt torba her zaman veya sadece ince toz vakumlandığında veya özellikle hijyenik temizlik gerektiğinde kullanılabilir. Yıldız filtre takılıken ilave filtre olarak kullanılır.

Köpük Filtre - Yıkama fonksiyonlu temizlik yapıldığında, sıvı vakumlandığında motora su geçişini engellemek için köpük filtre kullanılmalıdır.

Motor Koruma Filtresi - Tüm temizlik işlemlerinde kullanılmalıdır. Motor filtresini düzenli aralıklarla (en az 6 ayda bir) ya da yetersiz vakum yaptığı veya görünür kirler bıraktığında kontrol ediniz. Motor koruma filtresini ılık suyla yıkayıp, sıkma ya da ısı uygulamadan kurumaya bırakınız. Temizleme esnasında kuvvetli deterjan kullanmayınız.

Cihazın Islak/Kuru Vakuma Hazırlanması

A- Vakum Hortumu - Hortumu, gövdedeki yerine ileri ittiyerek takınız. Hortumu çıkartmak istediğinizde, düğmesine basarak hortumu dışarıya doğru çekiniz.



B- Vakum Boruları - Bağlantı için, uzatma borularının ucunda bulunan pimi yuvasına yerleştirin. Boruların iki kısmı birleştirildikten sonra pimi kapalı pozisyonuna getirin. Aynı işlemi uzatma borularını, vakum dirseğine ve entegre bağlantı parçalarına bağlamak için uygulayabilirsiniz.



C- Aparatlar - Bütün aparatlar uzatma borusuna ve tutma koluna takılabilir.



D- Zemin Aparatı - Sert zemin, taş zemin v.b. zeminlerde yer aparatının üzerindeki fırça düğmesine öne doğru bastırarak fırçalarını dışarıya çıkartınız. Halı zeminlerde ise fırça düğmesini geriye bastırarak fırçaları içeriye alınız.



E- Kenar-Köşe Aparatı - Bu aparat ile zor ulaşılabilen alanlar kolaylıkla temizlenir.



F- Döşeme Aparatı - Koltukların, yataklarn, otomobil koltuklarının temizlenmesinde kullanılabilir.



G- Mobilya fırçası - Mobilya fırçası mobilyaların, tablo ve benzeri eşyaların temizliğinde kullanılmaktadır.



Kuru Vakumlama

Aksesuar ve filtrelerin montajından evvel fişli kablunun prize takılı olmadığından emin olunuz. **(A)**Kazan içerisinde su ya da nem olmamasına dikkat ediniz. Bu kağıt torbanın ıslanarak dağılmasına neden olabilir. Bu durumda kazan içerisindeki nem, kuru bir bez ile alınmalıdır. Ardından;

- Süpürgeye yıldız filtre ve kağıt torbanın montajını yapınız. Vakum hortumunu gövdeye takınız.
- Kullanım yerine bağlı aksesuar ve aparatı hortuma takınız.
- Fişli kabloyu prize takınız.
- Süpürge üzerinde bulunan tuşa basarak süpürgeyi çalıştırabilirsiniz.




B- Vakum Ayar Sürgüsü - Vakum dirseğinde bulunan vakum ayar sürgüsü sayesinde vakum gücünü gerekli durumlarda düşürebilirsiniz.

Max. Vakum Gücü - Vakum sürgüsü kapalı konumda
Min. Vakum Gücü - Vakum sürgüsü açık konumda


Islak Vakumlama

Aksesuar ve filtrelerin montajından evvel fişli kablunun prize takılı olmadığından emin olunuz. Süpürge üzerinde takılı yıldız filtre **(C)** ya da kağıt torba var ise bunları çıkartınız.

- Ardından;
- Köpük kesici filtreyi monte ediniz **(D)**
 - Vakum hortumunu gövdeye takınız,
 - Kullanım yerine bağlı aksesuar ve aparatı hortuma takınız,
 - Fişli kabloyu prize takınız,
 - Süpürge üzerinde bulunan  işaretli tuşa basarak süpürgeyi çalıştırabilirsiniz.
 - Vakum dirseğinde bulunan vakum ayar sürgüsü sayesinde vakum gücünü gerekli durumlarda düşürebilirsiniz.

Max. Vakum Gücü - Vakum sürgüsü kapalı konumda
Min. Vakum Gücü - Vakum sürgüsü açık konumda



Süpürgede bulunan şamandra sistemi sayesinde; vakum yolu, su miktarı maksimum seviyeye ulaştığında kontrol gereği duymadan kendiliğinden kapanacaktır (E). Bu konumda makine ses seviyesi değişecektir. Araldından makinenizi  işaretli tuş ile kapatarak fişi prizden çekiniz. Süpürgeyi kirli suyu boşaltacağınız yere götürünüz. Kirli su tahliye kapağını açarak tank içerisindeki kirli suyu boşaltabilirsiniz. (F)



DİKKAT!!! Makine çalışma esnasında su tahliye kapağını asla açmayınız (F).

DİKKAT!!! Sıvı vakumlama yaparken yıldız filtre ve kağıt torba mutlaka çıkartılmalıdır.

UYARI: Sıvı vakumlama esnasında süpürgeyden köpük yada sıvı çıkarsa süpürgeye dokunmadan fişi prizden çekiniz. Tankı boşaltınız. Kısa devre yada elektrik çarpmaya riskine karşı süpürgeyi yetkili servise gösteriniz.

Püskürtme Fonksiyonlu Temizlik

Hali ve koltuklar yıkanmadan önce renk testi yapılmalıdır. Hali ve koltuğun görülmeyen bölümlerinde deterjan test edilmeli ve herhangi bir renk değişikliği olup olmadığı kontrol edilmelidir.



A- Gövde - Kazan mandallarını açın, motor kafasını çıkartın, yıldız filitreyi ve takılı ise kağıt torbayı çıkartın. Kağıt torbanın çıkartılmaması motorun arızalanmasına sebep olur. Yıldız filitreyi çıkarmak için filitre kilidini saat yönünün aksine çevirin.

B- Köpük Filtre - Köpük filitreyi motor kafesine monte edin. Motor kafasını yerine takın, kazan mandallarını kapatın ve püskürtme başlıklı aparatlardan dilediğinizi takın.



C- Temiz Su Hortumu

D- Vakum hortumunda bulunan jakli soket bağlantı ucunu (Ref. No.29), temiz su soketine (Ref. No.24) takınız. Bağlantı ucunu çıkartmak için soketin üzerinde bulunan şapka'yı düşük bir kuvvetle ileri itmeniz yeterli olacaktır.



E- Temiz Su Tankı Bağlantı Hortumu

Bağlantı hortumunu motor kafasında açılmış olan delikten geçirin. Hortumun kınlanmasına ve süzgeçli diğer ucun tankın altında olmasına dikkat edin. Temiz su tankının kapağını açın. Huni yardımıyla deterjan ve suyla doldurun. Tank yaklaşık 4.5 litre sıvı alır.



DİKKAT!!! Cihazla sadece köpüğü kontrollü makina kullanımına uygun deterjan kullanın (Nilco Halimatik tavsiye edilir). Kullanacağınız deterjanın zemininize uygun olup olmadığını kontrol edilmelidir.

F- Aksesuar - Üçgen halı yıkama aparatını (veya koltuk yıkama aparatını) uzatma borusuna takın. Su püskürtme borusunu uzatma borusunun pininden geçirin (itip ve saat yönünün tersine çevirin).



Püskürtme Fonksiyonuyla Halı Temizliği

A- Doğru aksesuarlar seçilip monte edildiğinde:

- Çihazın fişini prize takınız.
- Vakum ayar sürgüsünü Max. pozisyonuna getirin.
- **AÇMA/KAPAMA** şalterini kullanarak cihazı çalıştırın.
- Hafifçe düğmesine basarak pompayı devreye sokun.



B- Çalışma / Fonksiyon

C- Vakum ve pompa şalterini açık konuma getirin. Şampuanlı suyu püskürtmek için tetiği sıkın, tetiği serbest bıraktığınızda su püskürmesi kesilir. Zemin aparatını daima kendinize doğru çekerek kullanınız. Bu şekilde kullanım, kirli suyun emilmesini kolaylaştırır.



Not: Uzun süre su püskürtülmesi gerekmiyorsa pompayı devreden çıkartınız.



D- Şamandıra - Su miktarı azami seviyeye ulaştığında ventil kapağı otomatik olarak kapanır. Motor gürültülü çalışmaya başlar. Hemen vakum şalterini kapatın ve fişi prizden çekin. Cihazı kirli su tankını boşaltacağınız yere götürün. Motor kafasını mandalları sökerek kaldırın, bağlantı hortumlarını çözün ve temiz su tankını çıkartın. Tankı boşaltın.

Sert Zemin Temizliği

E- Sert Zemin Kızağını üçgen aparata takın. Diğer işlemler halı yıkama ile aynıdır.

F- Zert Zemin Kızağını çekerek kolaylıkla üçgen aparatıtan ayırabilirsiniz.

Koltuk ve Döşeme Temizliği

G- Koltukların, araba koltuklarının vb. döşemeliklerin temizliği için koltuk yıkama aparatını vakum dirseğine takın.

H- Bu işlemlere takiben:

- Vakum ayar sürgüsünü Max. pozisyonda tutunuz.
- Cihazı **AÇMA/KAPAMA** şalterine basarak çalıştırınız.
- Hafifçe düğmesine basarak pompayı devreye sokunuz.

I- Koltuk yıkama aparatını döşemenin üzerinde tutun ve tetiğe basarak deterjanlı suyu püskürtün. Aynı anda aparatı kendinize doğru çekerek vakumlama yapın. Şampuanlı suyu püskürtmek için tetiği sıkın, tetiği serbest bıraktığınızda su püskürmesi kesilir. Zemin aparatını daima kendinize doğru çekerek kullanınız. Bu şekilde kullanım, kirli suyun emilmesini kolaylaştırır.

Not: Uzun süre su püskürtülmesi gerekmiyorsa pompayı devreden çıkartınız.

J- Şamandıra - Su miktarı aşama seviyeye ulaştığında ventil kapağı otomatik olarak kapanır. Motor gürültülü çalışmaya başlar. Hemen vakum şalterini kapatın ve fişi prizden çekin. Cihazı kirli su tankını boşaltacağınız yere götürün. Motor kafasını mandalları sökerek kaldırın, bağlantı hortumlarını çözün ve temiz su tankını çıkartın. Tankı boşaltın.

Su Boşaltım Sistemi - Kirli suyu tanktan boşaltmak için motor düğmesini kapatın ve su tahliye tıpasını açın. Cihazı tekrar çalıştırmadan önce tahliye tıpasının yerine takılı olduğundan emin olun.

DİKKAT!!! Cihaz çalışır durumdayken tahliye tıpasını asla açmayınız.



Kullanım Sonrası

A- Cihazınızı kapatın, fişi prizden çekin ve kablo sarıcı yardımıyla güç kablosunu cihaz içine sarın.

B- Motor kafasını kaldırın ve kirli su kaznesini boşaltın.

Su Boşaltım Sistemi - Kirli suyu tanktan boşaltmak için motor düğmesini kapatın ve su tahliye tıpasını açın. Cihazı tekrar



çalıştırmadan önce tahliye tıpasının yerine takılı olduğundan emin olun.



DİKKAT!!! Cihaz çalışır durumdayken tahliye tıpasını asla açmayınız.

C- Temiz su tankına bir miktar temiz su doldurun. Temiz suyu lavabo ve küvette püskürtün. Böylelikle tüm sistem durulanır ve deterjan artıklarının tortulaşıp pompanızı tıkamaması engellenir.

D- Cihazı ve pompayı kapatın. Fişi prizden çekin. Tüm püskürtme sistemini (hortum, aparatlar vb.) durulayın.

E- Motor kafasını ve tüm aksesuarları bir kenara alın. Temiz su tankındaki durulama suyunu boşaltın. Cihazın gövdesini ve kullanılan tüm aparatları temizleyin.

F- Temiz Su Tankında kalan suyu boşaltmanız tavsiye edilir.

Bakım

Cihazınızın özel bir bakıma ihtiyacı yoktur. Cihaz, aksesuarlar ve gövde nemli bir bezle temizlenmelidir. **Elektrik geçen kısımları kesinlikle suyla temas ettirmeyin.** Motor koruma filtresi düzenli aralıklarla temizlenmelidir. Özellikle yıldız filtre hasar gördüğünde mutlaka temizlenmelidir. Köpük filtre az deterjanlı suyla temizlenmelidir. Köpük filtre kuruduktan sonra kullanılmalıdır.



Arızalar

Cihaz normal çalışmıyorsa (vakum gücünde düşme, alışılmadık gürültülü çalışma vb.) öncelikle vakum yollarının tıkalı olup olmadığını kontrol edilmelidir. Gerekli tamirat sadece FAKİR Yetkili Servisleri tarafından yapılmalıdır. Küçük sorunların servis öncesi çözümü ile ilgili kılavuzdaki **"Sorun Giderme"** kısmını inceleyebilirsiniz (sf13).

Filtre Değişimi

Sürekli yüksek vakum gücüne sahip olabilmek için filtreler belirli aralıklarla temizlenmeli veya değiştirilmelidir. Her filtre değişimi veya temizliğinde cihazın fişi prizden mutlaka çekililmelidir.

A- Yıldız Filtre - Vakum gücünde düşme olduğunda yıldız filtre temizlenmeli veya değiştirilmelidir. Kazan mandallarını açın ve motor kafasını gövdeden ayırın. Filtre kilidini saatin aksi yönünde çevirerek açın ve yıldız filitreyi çıkarın. Filitrede birikmiş tozu silkeleyin veya fırça ile temizleyin. Temizleme işlemi sırasında filitrenin zarar görmemesine dikkat edin. Temizlik veya değişim işleminden sonra yıldız filitreyi tekrar monte edin.



B- Kağıt Torba - Kazan mandallarını açın ve motor kafasını gövdeden ayırın. Dolu kağıt torbayı geriye doğru itinalı bir biçimde çekin ve çıkartın. Takiben çıkardığınız kağıt torbayı çöp kovasına atın. Yeni kağıt torbanın kenarlarını katlayın ve kağıt torbayı yerine tam oturacak şekilde dikkatlice takın. Kağıt torbanın gövdedin kenarlarında olmasını sağlayıp motor kafasını tekrar takın. Bu sırada kağıt torbanın yıldız filtre tarafından zarar görmesini engelleyin.



C- Köpük Filtre - Yıldız filitreyi çıkartıp yerine köpük filitreyi takın. Motor kafasını yerine yerleştirin. Kazan mandallarını kilitleyin ve gerekli aksesuarı monte edin. Islak vakumlama işleminden sonra köpük filitreyi az deterjanlı suyla yıkayıp temizleyin.



UYARI!!! Cihazınızın fonksiyonlarını dilediğiniz gibi yerine getirmesi için sadece orjinal FAKİR filtrelerini kullanınız.

Sorun Giderme

Süpürge Çalışmıyor

Fiş prize takılı değildir; lütfen fişi prize takınız. Güç kaynağı kesilmiştir; lütfen kabloları kontrol ediniz. Güç düğmesi kapalı konumdadır; güç düğmesini açık konumuna getiriniz.

Yetersiz Vakum

Motor üst kafa gövdeye iyi oturmamıştır; Lütfen montajı tekrar kontrol ediniz. Yer aparatı, vakum hortumu ya da vakum borusu tıkanmıştır; kontrol ederek temizleyiniz. Motor arızalıdır; Lütfen yetkili servise başvurunuz. Yıldız filtre ya da kağıt torba tıkanmıştır; lütfen yenisi ile değiştiriniz ya da temizleyiniz.

Aşırı Ses Çıkıyor

Şamandıra vakum yolunu kapatmıştır; Sıvı vakumlama ya da yıkama özelliğini kullanıyorsanız tank su seviyesini kontrol ediniz. Motor yanmış ya da zarar görmüştür; lütfen yetkili servise başvurunuz.

Süpürge Su Püskürtmüyor

Pompa arızalıdır ya da su geçiş yollarında deterjan tortusu oluşmuştur; lütfen yetkili servise başvurunuz.

Sevk:

Cihazın, orjinal ambalajında veya zarar görmesini önlemek için, iyi ve yumuşak pakette taşınması gerekmektedir.

Servis Listesi / Service List

- ADANA- I
IPEKDAG SERVIS / METİN İPEKDAG
Cemalpaşa Mah. 8. Sok. No. 10/C
Kapalı Spor Salonu Karşı Sokakçı
Tel: (0322) 457 35 50 - 458 49 82
Fax: 457 84 27
- ADANA-II
BİZİM SERVIS / MEHMET ALIŞAŞ
Adnan Kahveci Bulv. Mehtişsizgım mah. Akköse
Apt.No:1
Tel: (0322) 232 13 23
- ADANA / SEYHAN
KESKİN ELEKTRİK / ORHAN KESKİN
Güzelyalı Mah. 125.Sk. No:11
Tel: (0322)2343361
- ADANA/CEYHAN
BEYAZ EŞYA TAMİR SERVİSİ / HUSEYİN DEMİR
Büyük Kırım Mah.4.Sok.No:8 / A
Tel: (0322)613 17 77
- ADİYAMAN
ERHAN TEKNİK / MEHMET GOKSU
Buhara Cad. No. 32
Tel: (0416) 213 65 56
- AFYON
BARBAROS TEKNİK / ABDULLAH BARBAROS
Marulcu Mah.Açıkçöz Sok.No:24
Tel: (0272) 215 12 17
- AGRI
AKTAS ELEKTRONİK / SAİT AKTAS
Sarılı Nısı Cad.No:225
Tel: (0472) 216 13 40
- AKSARAY
İTİMAT ELEKTRİK / YAKUP AHRAZ
Taspazar Mah.Ş.Halil Uğur Sok. No: 17 / B
Tel: (0382) 212 77 72
- AMASYA
GÖKÇEĞÖZ ELEKTRİK / ÖZCAN ÜNSAL
Şehir üstü mah. Toruntay Sok. Arifler apt.
Tel: (0358) 212 01 04
- AMASYA / MERZİFON
GÖKÇEĞÖZ ELEKTRİK / ÖZCAN ÜNSAL
Belediye Sarayı No:2 P:15
Tel: (0358) 514 08 44
- ANKARA / BALGAT
CAGRI TEKNİK / HALİM KÖMEZ
Oğuzlar Mah. Barış Manço Cad. No: 27/B
Tel: (0312) 286 69 60 - 284 11 43 Fax
ANKARA / BAHCİELİEVLER
TERMO-BUZSAN / ZEYNEP SEN
7 cad 21. Sok. No:12
Tel: (0312) 222 21 38
- ANKARA / ULUS
SEHER ELEKT / MEHMET KUŞGOZ
Sanayi cad. M.Koloğlu İş Merkezi 7/ 10
Tel: (0312) 311 76 46
- ANKARA / DEMETEVLER
HAKAN TEKNİK / RECEP AKKAYA
D.evier 7. cad.No: 8 /C
Tel: 01 312) 334 28 50
- ANKARA / DİKMEN
KAR SOĞUT / ARIŞ TASKIRAN
Harbiye mah.Hürriyet cad.No:102/ C
Tel: (0312) 480 70 89 - Fax:478 35 81
- ANKARA / ETİMESGUT
UGUR TEKNİK / UĞUR GUYAGÜLER
Şehit Hasan Öztürk cad.No:53/ A
Tel: (0312) 245 37 37 Fax: 245 57 57
- ANKARA / KEÇİÖREN
AKYOL TEKNİK / MURAT AKYOL
Yakaok Mah. Çekirge Cad. No. 46/A
Tel: (0312) 361 23 23 - 361 24 25
Fax: 358 56 57
- ANKARA/BEYPAZARI
ERTURK TEKNİK / İSMAİL ERTURK
Milli Egemenlik Cd. No:92/A
Tel: (0312) 7626631
- ANKARA / POLATLI
TUNC TEKNİK / İLHAMİ COBAN
Cumhuriyet Mah. Altay Cad. No:27/1
Tel: (0312) 623 31 09
- ANKARA / GOLBAŞI
BEKS SERVIS / İSA CEVİK
Seğmenler Mah. Cemal Gürsel Cad. No:51/A
Tel: (0312) 484 21 19 - 484 92 32
Fax: 484 56 40
- ANKARA / ÇUBUK
TEKNİK SOĞUTMA / NİHAT ARIKAN
Cumhuriyet Mah. Santral Sok. No: 8 / B
Tel: (0312) 838 20 48
- ANKARA / SINCAN
CAN ELEKTRONİK / CAN SAYAK
Tandoğan mah.Billur Sok.No:11 / C
Tel: (0312) 270 31 75
- ANTALYA- I
YORUK TİCARET / İSMAİL PIRTI
Elmalı mah.H.Subaşı Cd.8.sok.Karamanlı uli
apt.No:2
Tel: (0242) 241 42 19 - 248 47 51 Fax: 241 42 19
- ANTALYA -II
AKAY TEKNİK / İSMAİL YAŞAR
Varlık mah.193 Sok.Bayar Apt.No:4
Tel: (0242) 243 16 21 Fax: 248 50 25
- ANTALYA / ALANYA
FURKAN KLİMA / YAKUP GÜZEL
Kadıpaşa mh.Elmas Sok.Tireli Apt.No:11/A
Tel: (0242) 522 14 57
- ANTALYA / ELMALI
YUCEL SOĞUTMA
MEHMET ERKAN DEMİREL
Hükümet Cad. No:54 Tel: (0242) 618 17 97
- ANTALYA / FINİKE
ATAÇ SOĞUTMA / KADİR ATAÇ
Yeni mah.520 Sok. (Sağlık ocağı yanı)
Tel: (0242) 855 21 20
- ANTALYA / MANAVGAT
BUZKAR SOĞUTMA / RAMAZAN ÇINAR
Aşağı ihşan mah.4604 sok. No:2
Tel: (0242) 742 86 40 -746 38 54
- ANTALYA / SERİK
ÖZLEM KLİMA / HUSEYİN DEMİR
Körfez Mah. Burmahancı Cad. No. 48
Tel: (0242) 722 35 28
- ANTALYA / GAZİPAŞA
OGUZ ELEKTRONİK / SENOL OGUZ
Pazaryeri Cad. Fuar alanı yanı
Tel: (0242) 572 30 56
- ARDAHAN
YILDIRIM ELK. / KEMALETİN YILDIRIM
Piyade Sok. No: 10 Tel: (0478) 211 28 58
- ARTVİN / ARHAVİ
KONFOR TEKNİK / ALİ YİVCİ
İnönü Bulvarı İzmir Pasajı
Tel: (0566) 312 20 54
- AYDIN-I
HİZEL ELEKTRİK / YAŞAR HİZEL
Kurtuluş mah.2018 sok. No:2/B
Tel: (0256) 225 32 69
- AYDIN-II
SE-SA TİCARET / M.CELAL BİNBÖL
Güzelhisar mah.7 Eylül Cad.No:103/A
Tel: (0256) 225 39 00
- AYDIN / NAZILLI
AYDOĞAN SOĞUT / ABBAS AYDOĞAN
Turan mah.Ziya Gökalp cad.No:77 / A
Tel: (0 256) 313 37 97
- AYDIN / SÖKE
GELİŞİM TEKNİK / CAVİT GÜMÜŞKAYA
Çeltikçi Mah. Albayrak Cad. No: 55/B
Tel: (0 256) 512 23 13
- AYDIN / KUSADASI
AHMET ÜNSAL
Turgut Özal Bulvarı No:11/A
Tel: 01 532) 226 50 46
- BALIKESİR
KALE ELEKTRİK / CENGİZ ATKALE
Dumlupınar Mh.Balık Avdan Sk.
Barutçu İş Hami No:2/10
Tel: 0(266) 239 00 07 - 239 46 06-2415333
- BALIKESİR / AYYALIK
YILDIRIM TEKNİK HİZ / MESUT YILDIRIM
Fevziyapaşa Mah.Fethiye Cad. No:111 / A
Tel: (0266) 312 54 60
- BALIKESİR / BANDIRMA
YİĞİT ELEKTRONİK / ÖZCAN ÖLÇ
İhsaniye Mh.41.Sok.No:47
Tel: 0(266) 714 26 00
- BALIKESİR / BURHANIYE
UGUR TEKNİK / ŞAKİR DUYUGULU
Mithatpaşa cad.No:68
Tel: 0(266) 412 86 89
- BALIKESİR/GÖNEN
UZMAN TEKNİK / CAGATAY UYGUN
Malkoç mah.Topçu sok. No: 06 / B
Tel: 0(266) 762 64 94
- BALIKESİR / EDREMIT
AYDIN SOĞUTMA / AYDIN ASLANTAŞ
Camiyasa Mah.Gazi Cad.Dökmecioglu Apt. No:59
Tel: 0(266) 374 25 31
- BALIKESİR / SUSRULUK
KALE ELEKTRİK / CENGİZ ATKALE
Han mah.Hacıbayram Sok.No:4
Tel: 0 (541) 211 81 52
- BAYBURT
SABİR ELEKTRONİK / ALİM KIRICI
Türkistan Cad.No:13 / G
Tel: (0458) 211 48 85
- BARTIN
NET-SES / SADIK KIVANÇLI
Hendek Yarı Cad. No. 59
Tel: (0378) 227 34 92 Fax: 227 88 25
- BATMAN
EMEK ELEKTRO TEKNİK / VEYSİ EMLAK
D.Bakır Cad.Yılmazlar Center K:1 No:116
Tel: 0 (488) 213 24 76
- BİLELİK
TURHAN TEKNİK / ÖNDER TURHAN
Dedeoğlu Cad. Köseoğlu Apt.No:18
Tel: (0228) 212 07 97
- BİLELİK / BOZUYUK
ELBO LTD. / ALİ COBAN
İsmet İnönü Cad. No. 57/A
Tel: (0228) 314 22 22
- BİNGÖL
SİMGE ELEKTRONİK / MELİK BAĞIS
Yenişehir mah.Yeşim sok.Boga Tekin Ap.Alı
Tel: (0426) 213 77 56
- BITLİS
CİNOĞLU ELEKT / CEVDET CİNOĞLU
Nur Cad. Eren Center İş Mrk. Alı No: 25
Tel:(0434) 226 64 73
- BITLİS / TATVAN
AY TEKNİK / MEHMET AY
Cumhuriyet Cad. Süphan Pasajı No:73
Tel: (0434) 827 31 70
- BOLU - I
DENİZ ELEKTRİK / EMIN AKSOY
Tabaklar Mah. Cumhuriyet Cd. No. 22
Tel: (0374) 217 18 17
Fax: (0374) 215 36 58
- BOLU - II
İKULM ELK -SOĞUT / ERGUN RUZGAR
Karamanlı mah.Konuralp cad.No:24 / D
Tel: (0374) 212 23 32
Fax: (0374) 212 12 32
- BURDUR
İNCELER TEKNİK / FATMA İNCE
Konak mh.Pazar Camii Cad. No:2
Tel: (0248) 212 40 33
- BURDUR / BUÇAK
İNCELER TEKNİK / FATMA İNCE
Tel: (0248) 212 40 33
- BURSA - I
GÖZDE TEKNİK / GÖKHAN PELENER
Şehircilikli Durak Cad. No:11/B
Tel: (0224) 220 97 19-223 08 51
Fax: (0224) 221 89 39
- BURSA - II
FURKAN TEKNİK / VOLKAN PELENER
İhsaniye mah.Okul cad. No: 72
Tel: 0 (224) 247 58 01 Fax: 247 58 31
- BURSA / GEMLİK
ALFA ELEKTRİK / SUREYYA KESKİN
Dr. Ziya Kaya Mah. Demirdöven Sok.
No: 19 Tel: (0224) 513 01 19 - 514 03 36
- BURSA /M.KEMAL PASA
OZKAN TEKNİK / RUHİ OZKAN
Sakrabey mah.Keresteciler arka sok.No:24
Tel: (0224) 612 20 33
- BURSA /İNEGÖL
MURAT TEKNİK / M.SELCUK ARSLAN
Sınan Bey Mah.Zafer Cad.N:8
Tel: (0224) 712 18 30
- BURSA /İZNİK
OKAN SOĞUTMA / İBRAHİM OKAN
Atatürk Caddesi No. 149
Tel: (0224) 757 30 78 Fax: 757 69 14
- ÇANAKKALE

CAN TEKNİK / SEBAHATTİN BİRÇAN
Cecapçaşa mah. İnönü Cad.N: 64/2
Tel: (0286) 217 25 25
CANAKALE / BIGA
MERT SERVIS / KEREM ÇELİK
İstiklal mah. Mustafa Aksekili Sok.No:27
Tel: (0286) 316 47 70 Fax: 316 13 18
ÇANAKKALE / GELİBOLU
GÜNGÖR TEKNİK / UFUK GÜNGÖR
Gazi Süleyman Paşa mah. Özlük sit.No:1
Tel: (0286) 566 40 99 / 40 98
ÇANKIRI
AKBİYİK TİCARET / HASAN AKBİYİK
Cumhuriyet mah. İplik pazarı sok. No:26/A
Tel: (0376) 213 42 56
ÇORUM - I
KEÇELİ TEKNİK / İHSAN KEÇELİ
Yeni Yol Mah. Sepetçi Sok. 19/B
Tel: (0364) 213 38 25 - 224 12 59 (Fax)
ÇORUM - II
HİTİT BEYAZ ESYA SERV / ENGIN ERENLER
Yeni yol mah. M.Ahmet Gökseme sok.
No: 5 / 1 Tel: (0364) 225 70 58
DENİZLİ - I
URAL TEKNİK / ALİ URAL
Ucuncabası Mah. 572 Sk.No:16
Tel: (0258) 264 92 86
DENİZLİ / ÇIVRIL
EGE TEKNİK / OSMAN GÜNDÜZ
Aşağı Mh.107 Sok.No: 14 /D
Tel: (0412) 713 84 40
DIYARBAKIR - I
AKTİF SOĞUTMA / MEHMET TÜT
Kooperatifler Mah. Bahar Sok. Pamukçuoğlu Apt.
No:6/A Tel: (0412) 2234203 - Fax: 2295449
DIYARBAKIR - II
KAYA ELEKTRİK / ZÜLKÜF KAYA
Yise Cad. Villa Ap. No: 46
Tel: (0412) 229 57 28
DIYARBAKIR / BİSMİL
ŞİK ELEKTRİK / SEYİTTAN YURAL
Kurtuluş Mah.Ahmet Akif Bulv.No:19-F
Tel: (0412) 415 05 94
DUZCE
KUTUP SOĞUTMA / CENGİZ BASIHOŞ
Şerefiye mah. Cumhuriyet sok.No:17
Tel: (0380) 523 46 04 Fax: (0380) 523 16 38
EDİRNE
MAKUL TEKNİK / SERDAL MAKUL
Talatpaşa Mah.Saraçlar Cad.2.Vakıf İşhanı Girişi
No:1
Tel: (0284) 225 01 82 Fax: 214 75 58
EDİRNE / KESAN
BOZKURT ELEKTRİK / AHMET BOZKURT
Aşağı Zafer Mh.Anatartalar cad.No:29 / A
Tel: (0284) 715 25 61 Fax: (0284) 712 12 02
EDİRNE / UZUNKÖPRÜ
ONUR TEKNİK / MEHMET HALİL DÖNMEZ
Hayrabolu cad.Muradiye mah.No:20 / A
Tel: (0284) 513 94 21
ELAZIG
DOĞUŞ TEKNİK / YENSUR DEMIRELLİ
Hürriyet Cad. Gölgeci Sok. No: 6/B
Tel: (0424) 233 10 92 - 238 07 71 Fax: (0424)
238 67 57
ERZİNCAN
KORFEZ ELEKTRİK / UMİT SUDAS
Gülabi Bey Mah. 770 Sok. No: 71
Tel: (0446) 223 09 59 Fax: (0446) 224 08 01
ERZURUM
SAFAK ELEKTRİK / HAMİT YAVUZER
Y. Mumcu Cad. No. 9
Tel: (0442) 234 33 35 Fax: (0442) 235 40 37
ESKİŞEHİR
DÖRÜK ELEKTRİK / TEOMAN TASCİ
Kurtuluş mah. Yunus Emre Cad. No: 68/A
Tel: (0222) 220 10 70 Fax: (0222) 220 53 52
GAZİANTEP - I
ÖZEL SERVIS / ERCAN KOCAOĞLAN
Sarıgüllük Mah. Kılıç Ali Cad. No: 10/A
Tel: (0342) 338 74 76 - 335 02 05
GAZİANTEP - II
NURİ BOZLAK
Bey mah.Kayacak Sok.No: 23 / D Eypüoğlu camii
karşısı
Tel: (0342) 230 88 09
GAZİANTEP / NİZİP
CAPAN TEKNİK / MEHMET CAPAN
Cumhuriyet Mah. Mermer Sok. No: 10
Tel: (0342) 517 51 66 (fax) Gsm: (0536) 878 62

06
GİRESUN
KONFOR TEKNİK / BAHTIYAR SAHİN
Hacı sışam Mah. İnönü Cad. No: 31/B
(72 evler karşısı)
Tel: (0454) 212 17 27 Fax: 212 54 54
GÜMÜŞHANE
DİNAMİK İSITMA SOĞT / ERSOY FEYZİÖĞLÜ
Hasanbey Mah.Cumhuriyet Cad. Ayvaz Ap. No:7B
Tel: (0456) 213 33 11
HAKKARI
İBRAHİM ARMUT
Bulak mah. Cumhuriyet cad. Aktas İş merkezi
Tel: (0438) 211 57 51
HATAY / ANTAKYA
ALKAN TEKNİK / SULEYMAN ALKAN
Sümerler Mah. Harbiye Cad. Müge Apt. Altı
No:72/D
Tel:(0326) 223 11 25
HATAY / DORTYOL
OZHAN TİCARET / AHMET OZHAN
Kışılar Mah. Cemal gürsel Cad. No: 5
Tel: (0326) 712 91 11 Fax: 713 09 00
HATAY / İSKENDERUN
AKKÖK ELEKT / AHMET AKKÖK
Kurtuluş mah.72 sok.No:24/A
Tel: (0326) 614 52 22 - 613 95 86 (Fax)
HATAY / KIRIKHAN
SEREN MAKİNE / NECATİ EZGİ
Barbaros Mah. Boztepe Cad. No: 17/B
Tel: (0326) 344 32 49
İSPARTA
TIGİS SOĞUTMA / MEHMET ALİ TIGİS
Gazi Kemal Mh.Aksu cad. No:2 / F
Tel: (0246) 223 76 93 / Fax : 218 58 32
İSPARTA / YALVAC
GÜVEN TEKNİK / ŞABRİ PARPAR
Pazar aşığı mh.Otogar yolu üzeri
Tel: (0246) 441 44 24
MERSİN - I
DIŞLI SOĞUTMA / YILMAZ ÖZCANDIŞLI
Mesudiye Mah.5111 Sok. No: 53 / A
Tel: (324) 329 03 01
MERSİN - II
AKTEPMA / SABİT DOĞU
Cumhuriyet Cd. İnönü Mah.3103 Sk. Tunc St.B.Blk.
No:22 Tel: 0(324) 325 98 36-2376846
MERSİN / ERDEMLİ
GÜVEN SOĞUTMA / HİLMİ OKUR
Merkez Mah.Özel İdare Sok.No:60 / C
Tel:0(324) 515 31 84
MERSİN / TARŞUS
YUKSEL TEKNİK / A.İBRAHİM YUKSEL
Eski Ömerli Mah.1304 Sok. No: 9/1
Tel: (0324)626 26 04
MERSİN / ŞİLFKE
EKŞEN SOĞUTMA / YUSUF ATAY
Göksu Mah. Y.Sultan Selim Sok.No:11/ 1
Tel: (0324) 715 11 02
IGDIR
PARLAK TEKNİK / İBRAHİM PARLAK
Tansu Çiller cad.Tomurcuk Sok.No:3
Tel: (0476) 227 47 51
İSTANBUL / AVCILAR
SERVET TEKNİK / BAHATTİN AYAĞIZ
Merkez Mah.Ahmet Tamer Kışlalı Cad. No:11
Tel (0212) 591 16 92 - 591 10 42
İSTANBUL / ARNAVUTKÖY
İNAN TEKNİK / ATILLA ÇICEK
Merkez mah.Fatih cad.381 Sok.No:8 (Onur gıda
market karşısı) Tel: (0212) 597 85 21
İSTANBUL / BAĞCILAR
MEHEL TEKNİK / CEVDET MEHEL
Yıldıztepe Mh. Bağcılar Cd. Celik İşhanı No. 118
Tel: (0212) 436 98 98 - 436 98 99
İSTANBUL / BAHÇELİEVLER
İSKİT ELEKTRİK / MESUT İSKİT
Feri Selim Paşa Cd. Kızılak Sk. No.12
Tel: (0212) 641 03 53 - 657 95 49
İSTANBUL / BESİKTAS
GÖRAY TEKNİK / AYDIN FIDAN
İhlamurdere Cad.Meddah İsmet Sok.No:23/B
Tel: (0212) 258 63 61 - 62
İSTANBUL / BAKIRKÖY
BERKANT ELK / FIKRET CALISKAN
Zuhuratbaba Cad. no: 22
Tel: (0212) 571 20 89
İSTANBUL / BAYRAMPAŞA
EMİN TEKNİK / EMİN ERTÜRK
İsmet Paşa Cad. Hayat Sok. No. 33/A

Tel: (0212) 674 10 19 - 545 18 80
Fax: 612 55 56
İSTANBUL / BEYKOZ
YILMAZ ELEKTRİK / MUSTAFA SUIÇMEZ
Mehmet Yavuz Cad.No:21
Tel: (0216) 424 01 83
İSTANBUL / BÜYÜKÇEKMECE
SERVET TEKNİK / BAHATTİN AYAĞIZ
Hasan Reis Cad. No. 12/2
Tel: (0212) 883 65 91 Fax: (0212) 881 63 14
İSTANBUL / BULGURLU
TAM TEKNİK / TARKAN BALCI
Bulgurlu Mah. Soğutlu Çayır Cd. No: 18
Tel: (0216) 329 05 37 - 316 35 79
Fax: (0216) 412 94 61
İSTANBUL / CATALCA
EGE SERVIS / AYDIN SENOĞLU
Ferahpaşa Mah. Atatürk Cad. No: 39
Tel: (0212) 789 25 94 - 787 16 10
İSTANBUL / CENKELGÖY
YILMAZ ELEKTRİK / AHMET YILMAZ
Yıldırım Beyazıt Cd.No:55 K:2
Tel: (0216) 318 38 76 / 462 47 03
Fax: 422 34 51
İSTANBUL / CEKMEKÖY-SARIGAZI
ERDEM TEKNİK / ERKAN BALCI
Çamlık Duruğu Aşkın sok.No:7 Tansas Karşısı
Tel: (0216) 526 47 70
İSTANBUL / CENNET MAH.
ULUDAĞ SOĞUTMA / MUSTAFA VONA
Cennet mah. Barbaros cad. No:40 / 1
Tel: (0212) 425 99 62 Fax : 580 80 93
İSTANBUL / ERENKÖY
MELİS ELEKTRİK / BURHAN OVALI
Şemsettin Günaltay Cd. Kamiller Sk. 3/2
Tel: (0216) 385 15 25 - 478 30 81
Fax: (0216) 363 57 54
İSTANBUL / ESENYURT
ARDA TEKNİK / ÇAĞATAY YANLIŞLAR
M.Kemal Paşa Mah.İstiklal Cad.No:129/B
Tel: (0212) 423 46 76
İSTANBUL / FATİH
HASAN NADİR
Fevziyapaşa Cd. Mevkufatçı sok. No:5/A
Tel: (0212) 523 85 99 - 635 34 93
İSTANBUL / GAZİOSMANPAŞA
EMİN TEKNİK / EMİN ERTÜRK
Merkez Mah Eypüyoğlu Cad. No: 26
Tel: (0212) 545 18 80 - 616 44 81
İSTANBUL / GOZTEPE
TEKNİK HİZMETLER / ADNAN SALİH
Dr.Erkin Cad. No: 23/D
Tel: (0216) 565 38 86
İSTANBUL / GÜLTEPE
BASARAN TEK / MUZAFFER BASEL
Talatpaşa Cad. Demek Sok. No. 6/A
Tel: (0212) 281 33 94 - 270 77 51
İSTANBUL / İCERENKÖY
UYŞAL ELEKTRİK / UYŞAL SAĞLIK
Karşılı Ahmet Cad. No. 76/C
Tel: (0216) 574 03 29
İSTANBUL / KADIKÖY
ELSU ELEKTRİK / MEHMET ALACALIOĞLU
Bahariye Cad. Nailbey Sok. No.30
Tel: (0216) 338 78 73 - 348 81 47
Fax: 310 11 52
İSTANBUL / KASIMPASA
KAKSI-SERVIS / FATİH LATİF
Bahariye Cad. Bostan Sok. No. 13/A
Tel: (0212) 255 01 15 - 238 68 99
İSTANBUL / KARTAL
GEZMİS ELEKTRİK / BULENT GEZMİS
Petrol İş Mah. Bahadır Sok. No. 12/1
Tel: (0216) 353 60 73 - 488 84 74 Fax
İSTANBUL / KAVACIK
AVCI TEKNİK / ÖZER AVCI
Kavacık mh.Kürsatı Cad. No:17 / A
Tel: (0216) 465 24 55
İSTANBUL / K.M.PASA
SEVCAN TEKNİK / MAHMUT ACIKGÖZ
Marmara Cad. İzciitürk Sok. No. 28
Tel: (0212) 586 51 42 - 530 88 78
İSTANBUL / KOCASINAN
EMRE ELEKTRİK / ALI AKPINAR
Mahmutbey Cd. Köprü Yolu Sk. No.8
Tel: (0212) 552 28 30 - 552 30 34
İSTANBUL / KUCUKÇEKMECE
CALIK ELEKTRİK / UMİT CALIK
Cennet Mah. Turgut reis cad.No:56/58 2-A
Tel: (0212) 580 30 33 (fax)

İSTANBUL / 1.LEVENT
ARSLAN ELEKTRİK LTD.ŞTİ
Etiler Nispetiye Cad. Peker Sok. No:28
Tel: (0212) 269 59 60 - 281 27 76
Fax: 283 37 43
İSTANBUL / MECİDİYEKOY
ŞENOL ELEKTRONİK LTD.ŞTİ / HACI ŞENOL
Dereboyu Cad. No:41 / B
Tel: (0212) 211 55 76
İSTANBUL / MALTEPE
YAVUZ ELEKTRİK / YAVUZ OKUTAN
Bağdat Cd.Meydan Sk. N:4/A
Tel: (0216) 305 36 28 / 3527110
İSTANBUL / OKMEYDANI
ATALAY SERVİS / MUAMMER ATALAY
Özoğul Cad.. No: 4 Okmeydanı
Tel: (0212) 222 81 83 - 222 80 83
Fax: (0212) 222 66 50
İSTANBUL / ORTAKOY
ELEKTROGOL / FARUK EVCİMEN
Dereboyu Cad. No. 102
Tel: (0212) 260 56 68 - 261 70 87
Fax: (0212) 258 65
İSTANBUL / PENDİK
YAZICI ELEKTRİK / S.SAMİ YAZICI
Dr.Orhan Maltepe cad. No:66/A
Tel: (0216) 375 05 91
Fax: (0216) 375 05 98
İSTANBUL / SÜADİYE
YAVUZ ELEKTRİK / YAVUZ OKUTAN
Erin alipaşa cad. Öğretmen Hayrullah Sok. No:4/3
Tel: (0216) 416 33 26
İSTANBUL / SARIYER
HILAL SOĞUTMA / İSTAVRİ DARAVANOĞLU
Kaplan Sok.No:42
Tel: (0212) 242 68 68
İSTANBUL / SİLİVRİ
PEKER SOĞUTMA / MEHMET PEKER
Alibey mah.Alibey Çeşme Cad.No:27 / C
Tel: (0212) 728 15 47 - 48
İSTANBUL / SULTANBEYLİ
YAZICI ELEKTRİK / SABRİ SAMİ YAZICI
Abdurrahman gazzi mh.Balıç sok.No:3
Tel: (0216) 496 07 95 / 419 18 01
İSTANBUL / ŞİŞLİ
YESİM ELEKTRİK / ŞUAAT ONER
Abide-i Hürriyet Cad.
KocaMansur Sok. No. 97
Tel: (0212) 232 49 00-240 88 23-231 64 63
İSTANBUL / SULTANGAZİ
ATILIM ELEKTRONİK / MEHMET KÜÇÜKURAL
Cebeci mah.2472 Sok. No:14/A
Tel: (0212) 475 85 62 - 475 82 36
İSTANBUL / UMRANIYE
HUR-SİM / RIZA YESİLBAŞ
İnkilap Mah.Küçüksu Cad. Ayfer Hoş Sok.No.6/A
Tel: (0216) 634 10 94 - 632 93 71
İSTANBUL / ÜSKÜDAR
ERDEM TEKİK / ERKAN BALCI
Selmani Pak Cad. Köse Dayı Sok. No. 3/A
Tel: (0216) 492 25 00 Fax: (0216) 553 79 80
İSTANBUL / YENİBOSNA
SEVCAN TEKNİK / NECMETTİN SARIALTUN
Zafer Mah. Yıldırım Bey Cad. Türk Beyi Sk.
No: 6 Tel: (0212) 551 17 56 - 552 45 87
İSTANBUL / YENİKOY
HİSAR SERVİS / OLCAY BAYARSLAN
Bağlarbaşı Mevkii Nuri Paşa Cad.No:48 / A
Tel: (0212) 223 27 96 Fax: (0212) 223 26 99
İSTANBUL / ZEYTİNBURNU
DOĞAN-SİM / MURAT KURT
Yenidoğan Mah. 42. Sok. No: 140/D
Tel: (0212) 582 97 88 Fax: (0212) 547 90 26
İZMİR / NARLIDERE
ONUR TEKNİK / FEVZİ YILDIRGAN
Tülay Aktaş Cad.2/A
Tel: (0232) 239 00 02 Fax:(0232) 239 16 29
İZMİR / SİRİNYER
AYDIN SOĞUTMA / UĞUR AYDIN
363 Sk. N:41/A
Tel: (0232) 452 93 57
İZMİR / ÇANKAYA
AYSER SERVİS / İSMAIL ZERİK
1362 Sok.47/A Şenel iş merkezi
Tel: (0232) 489 92 01 Fax: (0232) 425 31 21
İZMİR / BORNOVA
ÖNDER SOĞUTMA / ENDER YARAMIŞ
Kurtuluş Cad.No:81
Tel: (0232) 388 56 96
İZMİR / KARŞIYAKA-1

KARŞIYAKA MERKEZ ELEKTRİK
Atatürk Bulvarı No:22/A
Tel: (0232) 365 06 00 Fax: (0232) 372 95 48
İZMİR / KARŞIYAKA-II
AYSER SERVİS / İSMAIL ZERİK
Zübeyde Hanım Cad.No:87/A
Tel: (0232) 366 19 19
İZMİR /BERGAMA
CANOĞLU SOĞUTMA / RESAT CANOĞLU
Ertugrul mh.Böbliğen Cad. No:101/A
Tel: (0232) 633 53 84
İZMİR / ÜRLA
PEKDÜZ SOĞT. / MEHMET BURAK SOĞUTMA
Yeni mah. 2.Demirciler Sok.No:3
Tel: (0232) 754 27 72
İZMİR / ODEMİS
MEVSİM TEKNİK / TOLGA İKİZ
Bengisu mah.Gazi cad.No:36
Tel: (0232) 544 06 04
İZMİR / SELÇUK
ANADOLU SOĞUTMA / COSKUN UFAK
Atatürk Mah. 1016 Sk. 2/A
Tel: (0232) 8926615
İZMİR /TORBALI
CAN SOĞUTMA / GUNAY İÇER
Dr.Orhan Maltepe cad. No:8 / A
Tel: (0232) 856 11 36
İZMİR / TIRE
SEZEN ELEKTRİK / HALİS SEZEN
Kurtuluş Mah. Hakyol Cd. No:16/A
Tel: (0232) 5123773-5110250
KAHRAMANMARAŞ
BEYAZ-AY TEKNİK / MEHMET BEYAZAY
Bahcelievler Mah.15.Sok Ferah Ap. No. 6
Tel: (0344) 221 33 33 - 223 96 87
KAHRAMANMARAŞ / ELBİSTAN
KRAL SOĞUTMA / RECEP DİNAÇI
Güneşli Mah. Ulu Camii Cd. No. 34/C
Tel: (0344) 415 25 21
KARABÜK
SİRİN SOĞUTMA / ŞEVKET BASKURT
P.T.T. Cad. Kartaltepe-Yokusu No:3
Tel: (0370) 424 56 27
KARABÜK / SAFRANBOLU
GÖKAY TEKNİK / HÜSEYİN GÖKAY
Atatürk mh.Hasan Palaikan Cad.No:13/A
Tel: (0370) 712 24 97
KARAMAN
OZKAR SOĞUTMA / MEHMET TEBER
Sekicesme Mah. A. Hilmi Birand Cad. No: 3
Tel: (0338) 214 15 20
KARS
GÖZDE ELEKTRİK / BURHAN AKSU
G.Ahmet MuhtarPaşa Cad.No.77
Tel: (0474) 223 34 42
KASTAMONU
KMS SATIŞ SONRASI HİZM / TANJU ALTAN
İsmail Bey Mah. İnebulu Cad. No. 56/45
Tel: (0366) 214 26 96 - 212 85 03 Fax: 214 09 89
KASTAMONU / TASKOPRU
ACAR ELEKTRİK / ADEM CELİK
Pulcular Mah. Sulukise Sok. No:30 / B
Tel: (0366) 417 33 32
KAYSERİ -1
BİLTEK SERVİS / TEVFIK BİLDİK
Kıçıkapı Mah. Sendar Cad. No. 26/B
Tel: (0352) 231 64 75 Fax: 222 97 81
KAYSERİ -11
ARTEK SERVİS / İBRAHİM DURUSU
Cumhuriyet Mah. Uğur Sok. No: 12/B
Tel: (0352) 221 37 47 (fax)
KIRKLARELİ
BUSE ELEKTRİK / TURGUT CAPRAZ
Karaça İbrahim Mah.Kapan Cami Sok.Acun Pasajı
No:23 Tel: (0288) 212 73 57
KIRKLARELİ / BABAESKİ
ERENLER ELEKTRİK / OZCAN EREN
İstasyon cad.Yıldızbir apt. No:1/B
Tel: (0288) 512 62 72 Fax: 512 32 48
KIRKLARELİ / LULEBURGAZ
BUSE ELEKTRİK / TURGUT CAPRAZ
Tel: (0288) 212 73 57
KIRIKKALE
BULUT TEKNİK / MESUT BULUT
Yeni Doğan Mah.B.Hayrettin Cad. No:9/C
Tel: (0318) 212 31 73
KİRSEHIR
ELEKTRO TEKNİK / YASAR GOKBULUT
Ankara Cad. No. 7/B

Tel: (0386) 213 15 53 Fax: (0386) 212 65 79
KILIS
GENERAL SOĞUTMA / HALİL ABBASOĞLU
Şihabeddin Mh.Nemika Cad. No: 73
Tel: (0348) 814 38 66
KOCAELİ -1
DURSAN ELEKTRİK / İHSAN DURMUS
Karabasmah. Köseoğlu Sok. Fuar Apt. No.4/B
Emniyet Arkası Tel: (0262)3220028 - Fax:
(0262)325 91 43 - 322 64 43
KOCAELİ -11
EMİR ELEKTRONİK / İHSAN EMİR
İnönü Cad. Köseoğlu Pasajı No. 118
Tel: (0262) 322 29 67 Fax: (0262) 322 29 67
KOCAELİ / GEBZE
ONUR TEKNİK / ONUR SÜREN
Hacı Halil mah. Yıldız Cad. No:13 / A
Tel: (0262) 646 93 47 Fax: 646 93 48
KOCAELİ / GOLCUK
TEKNİK SERVİS / ENGİN PINARKAYA
Merkez mah. Prevez cad. No:26 / A
Tel: (0262) 412 50 04
KOCAELİ / DERİNCE
DOĞANER TEKNİK / MUSTAFA DOĞANER
Cenedağ Mah.Yılmaz Sok.No:5 - B
Tel: (0262) 223 45 02
KOCAELİ / KARAMÜRSEL
TEKNİK SERVİS / ENGİN PINARKAYA
Hacı Mehmet mah.Betonyol Sok.No:30
Tel: (0262) 452 53 26
KONYA -1
EMRE TİCARET / RECEP ERDİRİL
Azzizme Mah.Ayanbey Sok.No:12 / A
Tel: (0332) 353 00 07 - 352 11 36
KONYA -II
OZCAN SOĞUTMA / ALI OZCAN
Nisantaşı Mah. Kabata Cad. No:7/B Orkide Sitesi
alı
Tel: (0332) 236 33 37 - 237 17 34 Fax
KONYA / AKSEHİR
KARAGOZ SOĞUTMA / MUSA KARAGOZ
Meydan mah.Cocuk parkı sok.No: 14 / B
Tel: (0332) 813 92 52 / 92 37
KONYA / BEYŞEHIR
CAG SOĞUTMA / NECDET İNÇİLİ
Evsat Mah. Hükmekt Cd. No:11/D
Tel: (0332)5125927
KONYA / ERGELİ
YUNUS SOĞUTMA / MUHAMMET OZEMEKÇİ
Uğur Mumcu Cad. Gökkuşuğı ap. alı
Tel: (0332) 713 66 88 - 712 13 33
KONYA / SEYDİSEHIR
KARSEY BEYAZ EŞYA / KEMAL KOYUN
Hacı Seyit Ali Mah. 204.Sok. No. 13
Tel: (0332) 582 26 74 Fax: 582 45 37
KUTAHYA
ESEN TİCARET / LEVENT ESEN
Menderes Bulv.Ozlem Apt.arkası No:6 / D
Tel: (0274) 216 59 88
KUTAHYA / GEDİZ
SENER SOĞUTMA / EKREM SENER
Belediye Kapalı Carsı No. 22
Tel: (0274) 412 21 77
KUTAHYA / TAVSANLI
KRISTAL SOĞUTMA / YUSUF ÖZDEMİR
Kavaklı Mah.Tavsantarla Sok.No:12
Tel: (0274) 614 93 99
MALATYA -1
BUZCAM SERVİS / VAHAP ERGÖC
İnönü Cad. Barutçu Sok. No. 5
Tel: (0422) 321 51 06 - 325 16 85 Fax: (0422)
324 04 83
MALATYA -11
UGUR TEKNİK / UGUR GOKBULUT
Milli Egemenlik Cad. No:88
Tel: (0422) 322 15 20
MANİSA
MA-DE-SAN / MURAT DİRLİKÜ
1.Anafartalar Mh. Ergen Cd. No:34
Tel (0236) 2315488-2341596
MANİSA / SAHİHİ
KAR TEKNİK / MUHAMMET KARA
Cumhuriyet mah.Belediye Cad. No: 336 / B
Tel: (0236) 715 09 29
MANİSA / TURGUTLU
EFEKAR SOĞUTMA / MEHMET AKİF ÖZER
Cumhuriyet mah.Okular Sok.No:19
Tel: (0236) 312 41 03
MANİSA / ALAŞEHİR
NET ELEKTRONİK / MEHMET MORAY

Kurtuluş Cad. No:75
Tel: (0236) 653 17 19
MANİSA / AKHİSAR
ONAR ELEKTRİK / ÖZCAN ONAR
Ragıp bey Mah. 16. Sk. No: 40
Tel: (0236) 414 60 83 Fax: 413 23 55
MARDİN
İBRAHİMOĞULLARI İST.SĞT / RECEP BOĞA
Karayolları Arkaşı Barış Cad. Tempo gıda arkası
Gunaydın Apt.Alh
Tel: (0482) 212 83 06 Fax : 212 81 04
MARDİN / MIDYAT
CEMALOĞULLARI SERVİS
RESUL KUCUKLAŞAN
Bulvar Cad. PTT Karşısı No: 115
Tel: (0482) 464 19 88 (fax)
MARDİN / KIZILTEPE
İBRAHİMOĞULLARI İST.SĞT / RECEP BOĞA
Sanlıurfa cd.Ece Pasajı No:7
Tel: (0482) 312 55 99
MARDİN / NUSAYBİN
ERÇİN ELEKTRİK / ABDULLAH ERÇİN
Yeni Turan mh.Hamam Sok.No:6
Tel: (0482) 415 04 45
MUĞLA
ALACAM TEKNİK / OSMAN ALAÇAM
Emir Beyazıt Mh.Turgut Reis Cd.
Seyh Ülkümen İş hani
Tel: (0252) 212 46 44
MUĞLA / BODRUM
KRISTAL SOĞUTMA / AHMET ÖZKER
Umurca mah.Artemis Cad.No:42 / B
Tel: (0252) 313 13 09
MUĞLA / FETHİYE
NETSES ELEKTRİK / BAYRAM YEREKER
Carsı Cad. No: 67/A
Tel: (0252) 614 42 78
MUĞLA / MARMARİS
BABAYIGİT ELEKTRİK / ERDOĞAN BABAYIGİT
Tepe Mah. 31. Sok. No: 27
Tel: (0252) 413 59 38 (fax)
MUĞLA / YATAGAN
DOSTLAR BOBİNAJ / MEHMET KOCA
Konuk Mh. Nevzat Özyö Cd.20/E
Tel: (0252) 5729224
MUĞLA / MILAS
EMEK SOĞUTMA / SELÇUK ZORLU
Fırızpaşa mah.Kışla Cad.No:45
Tel: (0252) 513 00 67
MUĞLA / ORTACA
UZMAN SOĞUTMA / NEVZAT YEŞİL
Atatürk Bulv.No:194
Tel: (0252) 282 86 01
MÜS
EKİCİ ELEKTRONİK / EKİCİ ELEKTRONİK
Belediye cad. Ekici işhani No:19/2
Tel: (0436) 212 74 42
NEVSEHİR
ESENÖR SOĞUTMA / MUSTAFA GÖK
Nar cad.Carsı yolu sok.Kızılay Ap.No:1/A
Tel: (0384) 212 33 55
NİĞDE
UMUT SOĞUTMA / HANIFI ALDUNDAG
Esenbey Mah. Havaçılar Sok. 23 Nisan ilkokulu
Karşısı 3/ B. Tel: (0388) 213 43 44
ORDU
BİLİM TEKNİK / UĞUR BİLİM
Şarkıye Mah. Fatma Hatun Sok. No. 47/A
Tel: (0452) 214 99 80 - 225 63 13
ORDU / FATSA
BAŞ SOĞUTMA / NAMİK BAS
Sakarya Mah. Atatürk Cad. No.21
Tel: (0452) 423 75 21 Fax : 423 61 52
ORDU / ÜNYE
STAR TEKNİK / ATILMA ÇAKMAK
Kale Dere Mah. 20 Temmuz Cd. No:28
Tel: (0452) 324 82 51
OSMANIYE
TAŞ-KAR SAN LTD.ŞTİ / AGAHAN TAŞDELEN
Raufbey mah.Atatürk cad. No:364
Tel: (0382) 814 55 18
RİZE
KALAFATOĞLUSĞT / HUSEYİN KALAFATOĞLU
Yeniköy Mah.Sarı Baş Camii Yanı 39/B
Tel: (0464) 213 08 49
RİZE / CAYELİ
ÖZER TEKNİK / MAHSUT ÖZER
Eski Pazar Mah. Carsıbaşı Yapı Koop.
Tel: (0464) 5326381- Fax: 5326392
RİZE / PAZAR

BİBEROĞU TEKNİK / SALİH BİBER
Belediye İş Hami Giriş Kat No:36
Tel: (0464) 6125579
SAKARYA -I
BUZEL SERVİS / YUSUF NACAĞCIOĞLU
Kavaklar C. Uzunözü İşhani No.50/25
Tel: (0264) 271 84 97 Fax: (0264) 2784759
SAKARYA -II
UYGUN TEKNİK / UYGUN COŞKUN
Tığalar Mah. K.Osman Sok.No:18
Tel: (0264) 272 66 43 Fax: (0264) 272 67 08
SAMSUN -I
CAGDAS SERVİS / HAŞİM EMİRBUYURAN
Hancıerli mah.100 yıl bulv. No:27 / C
Tel: (0362) 446 30 02
SAMSUN -II
ÖZÇEVİK TİCARET / HAYRİ ÖZÇEVİK
İstasyon mah.Cumhuriyet cad. No:130
Tel: (0362) 231 00 97
SAMSUN / BAĞRA
GUNAL BOBİNAJ / RECEP GUNAL
Cumhuriyet Mah. Cumhuriyet Cd. No:79
Tel: (0362) 543 21 11 Fax (0362) 543 61 83
SAMSUN / ÇARSAMBA
YILDIZ TEKNİK SERVİS / SELİM SAĞLAM
Sungurlu mah. Sungurlu Cad. Tayyar Paşa Sk.No:
9 / B
Tel: (0 362) 833 94 71
SIIRT
GUVEN SOĞUTMA / BARIS IRIS
Yeni Mah. Hami Efendi Cd. Seyitoğlu Apt. Alh No.
35
Tel: (0484) 224 55 59 - 223 52 83
SINOP
ADA EV ALETLERİ / HAKAN CEZAIİR
Çamikebir mah.Tütüncü Sok.No:16
Tel: (0368) 260 12 64
SINOP / GERZE
GÖZDE SOĞUTMA / HASAN OZDEN
Hamidiye Mah. Okullar Cad. No. 10
Tel: (0368) 718 31 55 Gsm: 0542 411 87 62
SINOP / AYANCIK
YILKAY SOĞUTMA / MEHMET YILMAZ
Yalı Mah. Sadırvan Cad. No: 46
Tel: (0368) 613 52 12 Fax: (0368) 613 26 97
SIVAS
BAGDAT TİCARET / A.TURAN BALAK
Sırac cad.Hoca İmam sok.No:7/A
Tel: (0346) 221 06 05
SANLIURFA
TURAP-IS / OSMAN TURAP
Bahçelievler 1. Sok. Güllüoğlu Apt. Alh No. 9/E
Tel: (0414) 312 60 56 - 314 45 26 Fax.
S.URFA / BİRECİK
KARAKAŞ ELEKTRİK / AYHAN KARAKAŞ
Meydan mh.10 temmuz cad.(Jandarma karş)No:9
Tel: (0414) 652 14 64
S.URFA / CEYLANPINAR
İKLİM KLİMA / ŞERİF YAŞAR
Gazi cad. Ulu cami mah.No:72
Tel: (0414) 471 73 83
S.URFA / SİVEREK
AKTİF SOĞUTMA / MAHMUT GUVEN TERK
Kale mah.Gerger Cad.No:3 / D
Tel: (0414) 552 83 57
S.URFA / SURUC
İSİK SOĞUTMA / OMER İSİK
Ziyaret yolu No: 10 / C
Tel: (0414) 612 17 25
Fax: 0 414) 611 70 80
S.URFA / VİRANŞEHİR
YALCIN SOĞUTMA / YALCIN KARAKURT
Keleşabdiöğlü Mh.12.Cad. No:10/D
Tel: (0414) 51166 53
TEKİRDAĞ
İZMİR ELEKTRONİK / ALİ USTUK
Ertugrul mah.Demir Sok.No:35 / 1
Tel: (0282) 260 10 10
TEKİRDAĞ / CERKEZKOY
TİPİ SOĞUTMA / MANSUR İGDELI
G.M.Kemal Paşa Mah.Atatürk Cd. No: 94
Tel: (0282) 726 94 77 - 726 11 63 Fax:(0282)
726 83 26
TEKİRDAĞ / ÇORLU
TREE ELEKT.ELEKTRONİK SAN.TİC.LTD.ŞTİ
Reşadiye Mah.Mandıracı Cad.3.Sok.No:10/A
Tel: (0282) 652 53 01 / 653 10 66
TEKİRDAĞ / MALKARA
EGEMEN TEKNİK / ERDİNC ONATER
Yeni Mahalle Güllübaa Aralığı Sokak No:10

Tel: (0282) 427 55 99
TOKAT
ELCOM ELEKTRONİK / SELÇUK ARSLAN
Mehmet Paşa mah.Tahir Efendi Cad.2 Sok.
No: 2 / B
Tel: (0356) 212 51 50
TOKAT / TURHAL
GÜÇLÜ SOĞUTMA / YAŞAR ALEMDAR
Celal mah.Tuna Sok.No:11
Tel: (0356) 276 39 66 / 275 87 54
TOKAT / ERBAA
HİLAL SOĞUTMA / HİDAYET ATES
Cumhuriyet Mah. Gazi Bulvarı No:84
Tel: (0356) 715 77 71 - 715 99 98
TOKAT / NIKSAR
HİLAL SOĞUTMA / HİDAYET ATES
Gaziosmanpaşa mah.Hanegan Sok
Hastane Cad. No:6
Tel: (0356) 527 10 25
TRABZON -I
MERKEZ ELEKTRONİK / BAYRAM YILDIRIM
Carsı Mah. Şahinkaya Sok.No:5
Tel: (0462) 321 40 51 Fax : 326 13 48
TRABZON -II
EMEK TAMİR SERV/ YAKUP KARAKULLUKCU
Uzun Sk.Kasımözü Cıkmazı No:16/A
Tel: (0462) 321 74 45
TRABZON / AKÇABAAT
TOPALOĞLU SOĞUTMA / VELİ TOPAL
Dürbinar mah.İnönü cad. No: 51
Tel: (0462) 228 51 98
TRABZON / VAKFIKEBİR
COŞKUN BİYİKİ
Kemaliye Mah. Fatih Cad. No:52
Tel: (0462) 841 48 31
TRABZON / OF
SİSTEM İSİ MERKEZİ / D.ALİ BAL
Atatürk Bul. Demirhan Pasajı No:16
Tel: (0462) 771 39 76
USAK
TÜRKMENÖĞLÜ İSTİSÖĞT/ÇAĞLAR TÜRKMEN
İslicce mah.Adaş Sok.No:35 / c
Tel: (0276) 223 29 65
VAN
ÖNERLER TİCARET / SERKAN ÖNER
K.Karabekir Cad. Akdamarlar Pasajı. No:8
Tel: 0432 215 19 67
VAN / ERÇİS
HAKAN İŞLER
Yukarı Çınarlı Cad.Erciş İlimaz Yaz.Önü No:12
Tel: (0432) 251 22 24
VALOVA
SERHAT TEKNİK / SERHAT YUVARLAKLAR
Fevzi Çakmak mah.Yıldız Sok.No: 9 / B
Tel: (0226) 812 52 35
YOZGAT
ŞAKİR TANGUCU
Özel idare binası Güneş sok. No:5/E
Tel: (0354) 212 40 27
YOZGAT / SORGUN
TEKNİK SOGT / MEHMET KABAY
Hastane Cad. No: 9/A
Tel: (0354) 415 02 03 Fax: 415 02 08
ZONGULDAK
ÖZTÜRK ELEKTRİK / MUAMMER ÖZTUR
Mithatpaşa Mah. Okul Sok. Gürpaltı İş Hami No.
12
Tel: (0372) 251 26 37 Fax: 251 61 64
ZONGULDAK / K.EREGLİ
NASIP SOĞUTMA / CELİL COBANER
Bağlık Mh.Erdemir Cad. No: 205
Tel: (0372) 322 07 78 / 322 70 77
ZONGULDAK / DEVRİK
ÖZTÜRK ELEKTRİK. / MUAMMER ÖZTUR
İsmetpaşa Mh. Cekeneciler Sok.No:4
Tel: (0372) 556 24 00
KIBRIS / LEFKOSE
AHMET SEDAT LTD.
Gzt.Hamam Tahsin Cad. Haacı APT. B Blok PK 711
/ ORTAKOY
Tel: (0392) 229 14 60

Sn. TÜKETİCİMİZ :
GÜNCEL YETKİLİ SERVİS
LİSTEMİZ:
www.fakir.com.tr
İNTERNET SAYFAMIZDAN
ULAŞABİLİRSİNİZ

GARANTİ BELGESİ

Belge Onay Tarihi:18.08.2010

Belge No:89422

İMALATÇI / İTHALATÇI FİRMANIN

ÜNVANI : **Fakir Elektrikli Ev Aletleri Dış. Tic. A.Ş.**
MERKEZ ADRESİ : **MEŞRUTİYET CAD. NO:43 TEPEBAŞI - İSTANBUL**
TELEFONU : **0 212 249 70 69**
FAKSI : **0 212 251 51 42**
FİRMA YETKİLİSİNİN
İMZASI - KAŞESİ

Fakir FAKİR ELEKTRİKLİ EV ALETLERİ DİŞ. TİC. A.Ş.
HAUSGERÄTE FAKİR ELECTRICAL APPLIANCES IMPORTERS CO. INC.
Merkez: Meşrutiyet Cad. No:43 Tepebaşı - İstanbul
Telt: (212) 249 70 69 Faks: (212) 251 51 42
Ticaret Sicil No: 33744 / Şişli Şubesi V.D.: 365 051 5910

ÜRÜNÜN
CİNSİ : **Halı Yıkama Makinesi**
MARKASI : **Fakir**
MODELİ : **Deluxe 9800 S ÖkoPower**
BANDROL VE SERİ NO :
TESLİM TARİHİ VE YERİ :
GARANTİ SÜRESİ : **2 YIL**
AZAMI TAMİR SÜRESİ : **20 (YİRMİ) İŞ GÜNÜ**

SATICI FİRMANIN

ÜNVANI :
ADRESİ :
TELEFONU :
FAKSI :
FATURA TARİH VE NO :
TARİH - KAŞE - İMZA :

Bu belgenin kullanılmasına; 4077 sayılı Tüketicinin Korunması Hakkında Kanun ve bu Kanun'a dayanılarak yürürlüğe konulan Garanti Belgesi Uygulama Esaslarına Dair Tebliğ uyarınca, T.C. Sanayi ve Ticaret Bakanlığı Tüketicinin ve Rekabetin Korunması Genel Müdürlüğü tarafından izin verilmiştir.

GARANTİ ŞARTLARI

1. Garanti süresi, malın teslim tarihinden itibaren başlar ve 2 yıldır.
2. Malın kullanma kılavuzunda yer alan hususlara aykırı kullanılmasından kaynaklanan arızalar-hasarlar ve yetkili servis elemanları dışındaki şahıslar tarafından bakım-onarım veya müdahale edilmemesi şartıyla bütün parçaları dahil olmak üzere tamamı firmamızın garantisine kapsamındadır.
3. Malın garanti süresi içerisinde arızalanması durumunda, tamirde geçen süre garanti süresine eklenir. Malın tamir süresi en fazla 20 iş günüdür. Bu süre, mala ilişkin arızanın servis istasyonuna, servis istasyonunun olmaması durumunda malın satıcısı, bayii, acentesi, temsilciliği, ithalatçısı veya imalatçısı-üreticisinden birisine bildirim tarihinden itibaren başlar. Tüketicinin arıza bildirimini; telefon, fax, e-posta, iadeli taahhütlü mektup veya benzeri bir yolla yapması mümkündür. Ancak uyumsuzluk halinde ispat yükümlülüğü tüketiciye aittir. Malın arızasının 10 iş günü içerisinde giderilmemesi halinde, imalatçı-üretici veya ithalatçı; malın tamiri tamamlanıncaya kadar, benzer özelliklere sahip başka bir sanayi malını tüketicinin kullanımına tahsis etmek zorundadır. İş günü: ulusal, resmi ve dini bayram günleri ile yılbaşı, 1 Mayıs ve Pazar günleri dışındaki çalışma günleridir.
4. Malın garanti süresi içerisinde, gerek malzeme ve işçilik, gerekse montaj hatalarından dolayı arızalanması halinde, işçilik masrafı, değiştirilen parça bedeli ya da başka herhangi bir ad altında hiçbir ücret talep etmeksizin tamiri yapılacaktır.

5. Tüketicinin onarım hakkını kullanmasına rağmen malın;

- Tüketicie teslim edildiği tarihten itibaren garanti süresi içinde kalmak kaydıyla bir yıl içerisinde en az dört defa, imalatçı-üretici ve/veya ithalatçı tarafından belirlenen garanti süresi içerisinde altı defa arızalanmasının yanı sıra bu arızaların maldan yararlanmamayı sürekli kılmaması,
- Tamiri için gereken azami sürenin aşılması,
- Servis istasyonunun mevcut olmaması halinde sırasıyla satıcısı, bayii, acentesi, temsilciliği, ithalatçısı veya imalatçısı-üreticisinden birisinin düzenleyeceği raporla arızanın tamirinin mümkün bulunmadığının belirlenmesi,

durumlarında, tüketici malın ücretsiz değiştirilmesini, bedel iadesi veya ayıp oranında bedel indirimi talep edebilir.

6. Satılan malın garanti belgesinin tasdik edilerek tüketiciye verilmesini temin etmek ve ayrıca bu yükümlülüğün yerine getirildiğini ispat etmek satıcı, bayii veya acenteler sorumludurlar.

Satılan mala ilişkin düzenlenen faturalar garanti belgesi yerine geçmez. Ancak servis istasyonlarında yapılan onarım ve parça değişimi işlemleri sonucunda verilen fatura, bu yönetmeliğin öngördüğü garanti şartlarını içermesi kaydıyla garanti belgesi yerine geçer.

7. Garanti Belgesi ile ilgili olarak çıkabilecek sorunlar için Sanayi ve Ticaret Bakanlığı Tüketicinin ve Rekabetin Korunması Genel Müdürlüğü'ne başvurabilirler.